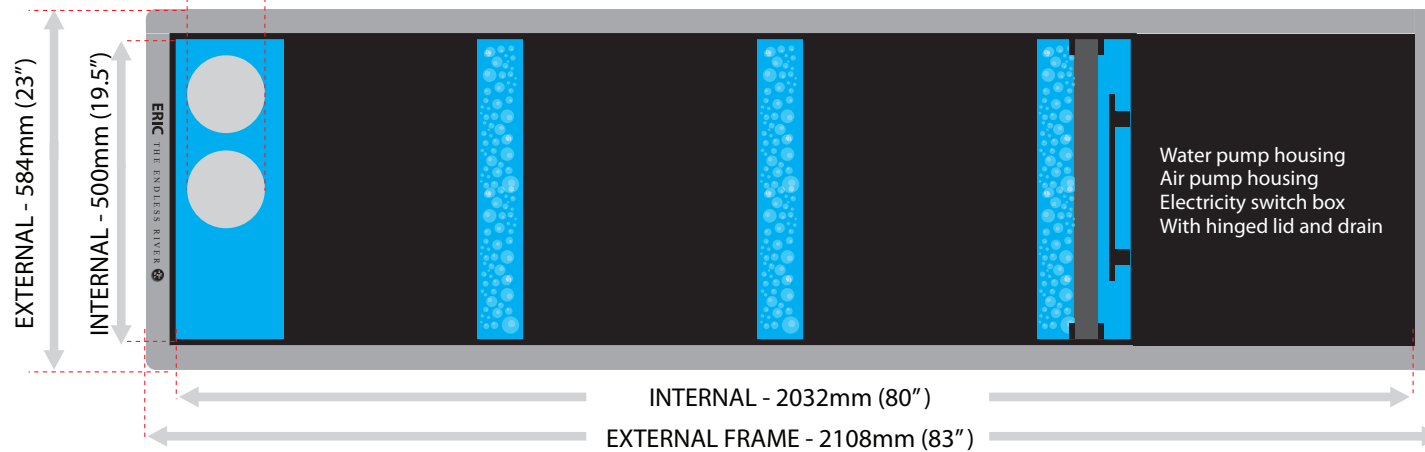


Dimensions - Section View	
Length	
BRUSH BOX INTERNAL	482mm (19")
BIOLOGICAL INTERNAL	1524mm (60")
HOUSING INTERNAL	444mm (17.5")
EXTERNAL	2032mm (80")
Height	
INTERNAL	457mm (20")
EXTERNAL	558mm (22")

PIPEWORK - 5" DIA



Dimensions - Plan View	
Length	
INTERNAL	2032mm (80")
EXTERNAL	2032mm (83")
Width	
INTERNAL	495mm (19.5")
EXTERNAL	584mm (23")